

JXB2-63 Series

Application

JXB2-63 high switch-off ability miniature circuit breaker is applicable to a line of AC 50/60Hz, rated voltage 230/400V and rated current up to 63A, used for overload and short circuit protection. It can also be used for infrequent line conversion under the normal condition. The breaker is applicable to industrial enterprise, commercially district, high-rise building and dwelling house. It conforms with the standards of IEC 60898-1.

Main Technical Parameter

Type		JXB2-63	
Pole		1P	2P, 3P, 4P
Rated current (A)		1,2,3,4,6,10,16,20,25,32,40,50,63	
Rated voltage(V)		230	400
Type of instantaneous release		B,C,D	
Rated short circuit breaking capacity Icn(kA)		10	
Life (times)	1-32A	Electric life	8000
		Mechanical life	20000
	40-63A	Operation frequency	240 times per hour
		Electric life	8000
		Mechanical life	20000
		Operation frequency	120 times per hour

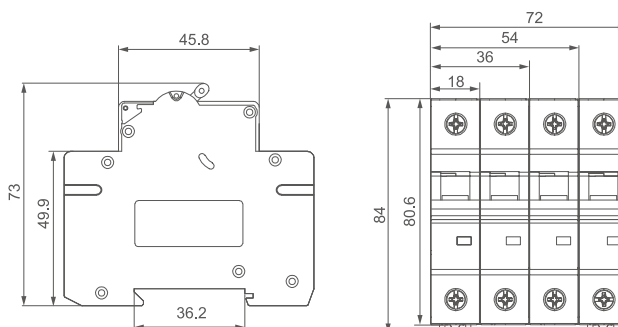
Applicable Conducting Wire

Rated current(A)	Nominal cross section of wire mm ²
1-6A	1
10A	1.5
16,20A	2.5
25A	4
32A	6
40,50A	10
63A	16

The Over-current Protection Property

Ambient temperature	Initial status	Test current	Test time	Expected result	Note
30±2°C	Cold position	1.13In	t ≥ 1h	Non-release	-
	Carried out immediately after previous test	1.45In	t < 1h	Release	-
	Cold position	2.55In	1s < t < 60s (In ≤ 32A)	Release	Current smoothly rises to specified value within 5s
	Cold position	2.55In	1s < t < 120s (In > 32A)	Release	
-5~+40°C	Cold position	3In	t ≤ 0.1s	Non-release	Type B
	Cold position	5In	t < 0.1s	Release	Type B
	Cold position	5In	t ≥ 0.1s	Non-release	Type C
	Cold position	10In	t < 0.1s	Release	Type C
	Cold position	10In	t ≥ 0.1s	Non-release	Type D
	Cold position	20In	t < 0.1s	Release	Type D

Dimension



1P



2P



3P



4P